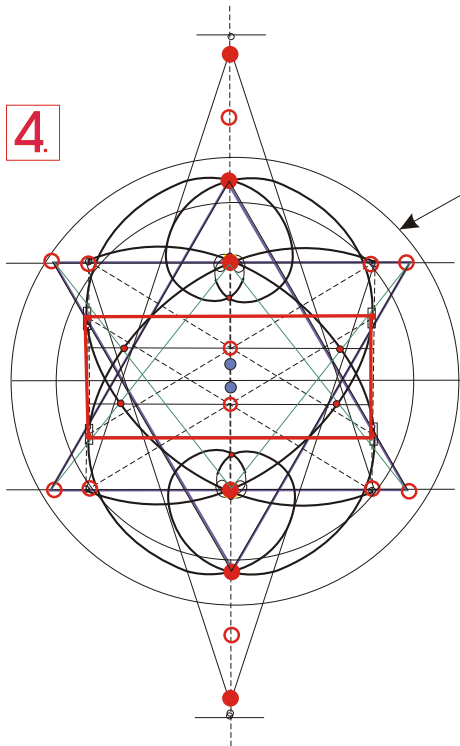


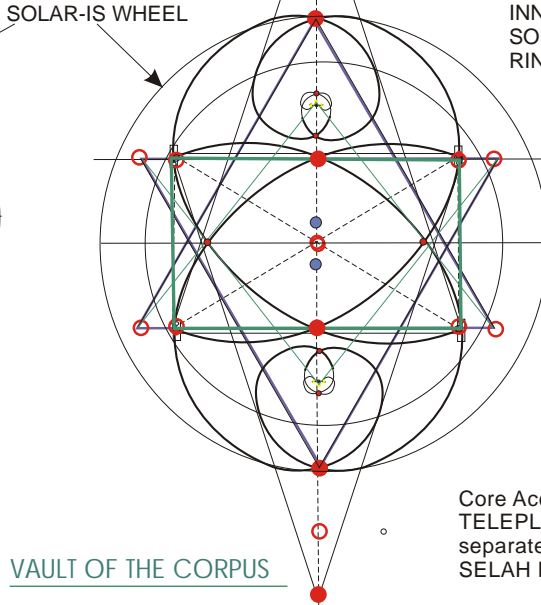
4.



**Vault of Brahma's Yoke**

TWO SHIYNS ARE "INSEMINATED" VIA THE TSADEYS (GLORY POLES). THIS IS THE DENDERA CEILING PRIMARY FORMAT.

5.

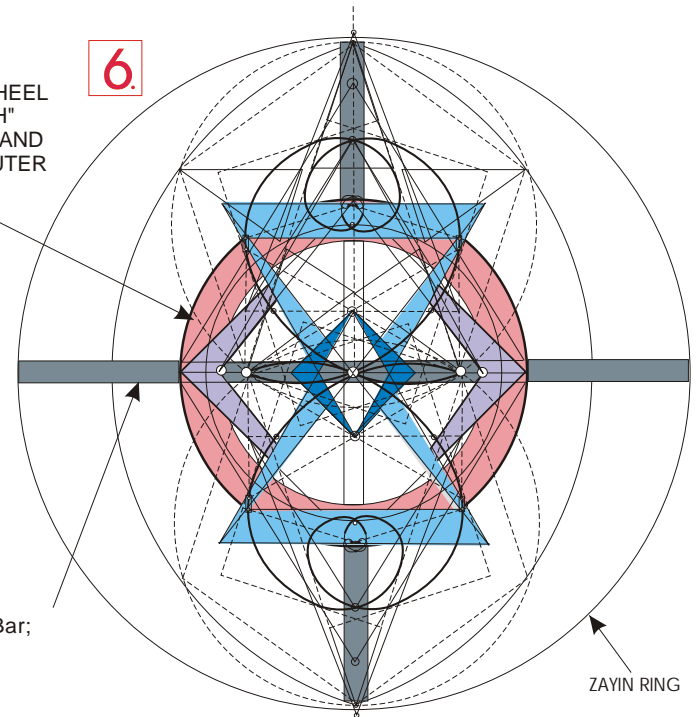


**Vault of the Corpus**

Reshels are inter-penetrated with RESH POLES merged at the center. This "single head (Resh) with two faces" centers the EYE OF RA golden ratio rhombic field.

6.

SOLAR-IS WHEEL WITH "EARTH" INNER RING AND SOLAR-IS OUTER RING.



**Solar-Is Wheel and Cross: Aeriopax**

The SOLAR-IS WHEEL and Cross is added in the base-to-base mode. The width of the Bar is determined by using it to form a 1.618 ratio Rhombus with the KHROS points used as apices and the Bar as the minor axis.

The outer sphere is the loci of the Zayin poles as the total form spins.

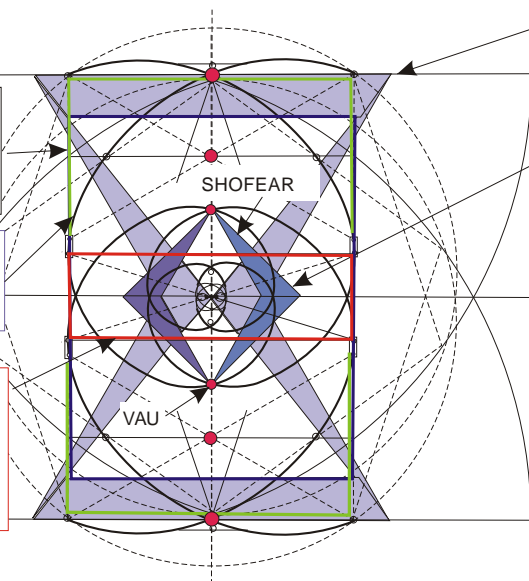
The ARIEOPAX'S large square is the cross formed by the major axis between all Tsadies.

7.

This is the **VAULT OF THE ROSE-CROSS**, formed with the Pools of the Moon/Life.

This is the **SIGNA VAULT** formed in the base-to-base mode.

This is the **Vault of the 3000 LOTUM** or the **SUNFLOWER** formed when both Glory poles merge in the Ulta.



The Pyramid's 51 deg. slope angle is projected to the Unified Tsadey points from the "socket" poles which were placed by linking to the Vau with a 60 deg. angle.

The SHOFEAR cube and RHOMBUS: The hexagonal EYE OF RA is formed by linking the two Vau poles. This is the DWELLER OF DIVINE FIRE. The Center is the Holy of Holies, the FIRST FIRE. The Center expresses as the MONAD in a personal medallion.

**GRAPHIC 1 OF 2 (REFER ReshelVaults01-02.cdr)**

**RESHEL SPEARS PROGRESSIVELY INTERPENETRATE; SEVERAL MAJOR HARMONIC PROGRESSIONS SHOWN IN FORMING THE ARIEOPAX. NOTE 7 MAJOR VAULTS.**